

Partrac II



- Ideal for use as hospital cubicle rails.
- A wide variety of components offers an optimal solution to installation challenges.
- Wheel-type rollers assure smooth operation.

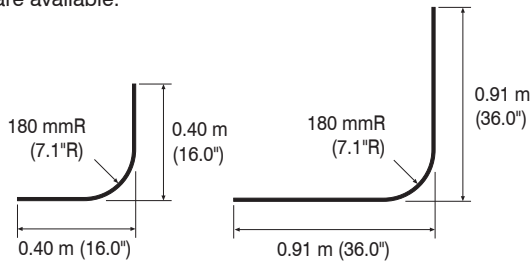
Partrac II

Partrac II's Unique Features and Applications

Standard curve rails and customized rails are available.

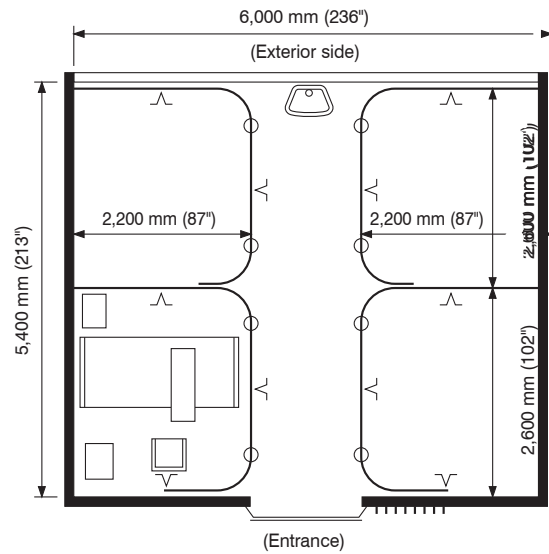
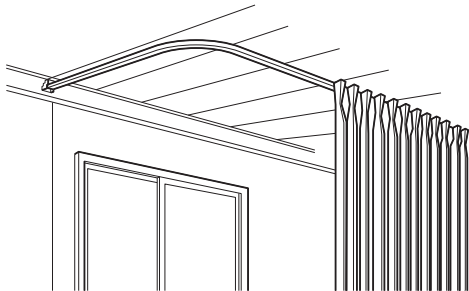
Because of short delivery time, standard curved rails are recommended when installation is urgent. Delivery of customized curved rails takes a little longer but they offer advantages in terms of strength and price.

- Standard curved rails
0.40 m x 0.4 m (15.7" x 15.7") and 0.91 m x 0.91 m (35.8" x 35.8") rails are available.



- Customized curved rails
A single rail can be up to 5 m (197\") long.

*The bending method used differs depending on whether New Delac or C Type Rollers are used. Be sure to specify which rollers are to be used when you order.

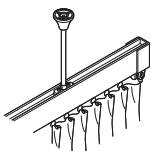


Application versatility with the Fixed Hanger Rod and Adjustable Hanger Rod A.

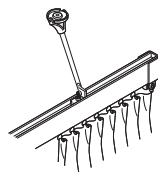
Two types of hangers are available. The Fixed Hanger Rod provides a neat appearance while the Adjustable Hanger Rod A offers extra convenience when hanging directly above the rail is not possible.

- *The Fixed Hanger Rod includes a base, cover and hanger rod.
- *Available in two colors: white or natural.

Fixed Hanger Rod

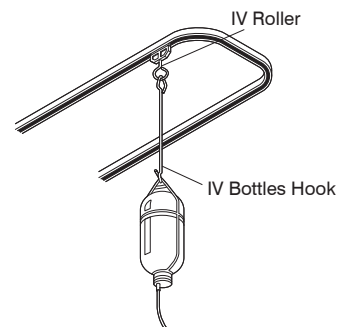


Adjustable Hanger Rod A



Parts for IV are available.

Use New Delac and Supertrac Rails.



Materials and Finishes

Parts		Material	Finish
Rail	Silver	Aluminum alloy extrusion material	Alumite
	White		White
Roller (C Type and New Delac are common)	Plate	Hard polyethylene	—
	Wheel	Acetal resin	
	Oval ring	Stainless steel	

Parts		Material	Finish
End Stop	Body	Steel	Alumite
	Oval ring	Stainless steel	
Bracket	Body	Steel	—
Adjustable Hanger Rod A	Pipe	Steel	—
Adjustable Hanger Rod B		Aluminum	

Bracket Installation Interval and Allowable Curtain Load

With fixed intervals of 1.5 m (59") ... 4 kg (8.8 lb)

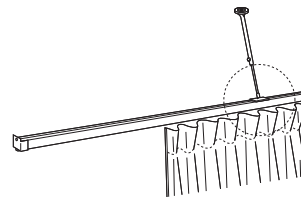
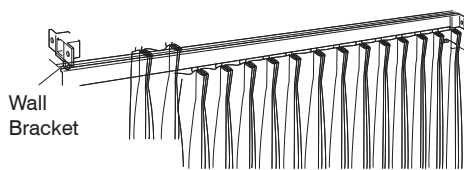
* When using in hospitals and other medical institutions, make sure that the rail is not made to bear the weight of a patient holding onto the curtain. If the load goes over that allowable, the curtain rail may come off from the brackets.

Partrac II Installation Method

Straight Partition

When both ends of the rail can be secured to the wall, use Wall Brackets for installation. If the rail is longer than 1.5 m (59") Hanger Rods at intervals of 1.5 m (59").

If the rail is longer than 1.5 m (59"), also install Hanger Rods at intervals of 1.5 m (59") or less. (For Fixed hanger Rods 350 and 500, hang at intervals of 1.0 m/39" or less.)

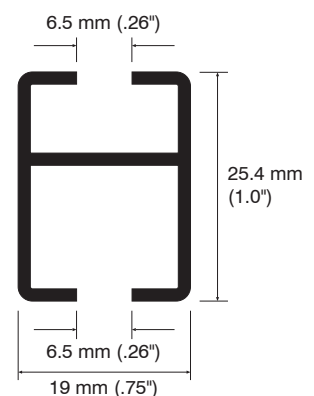


Partrac II Rails

White

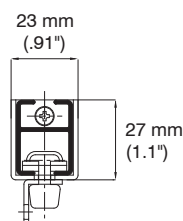
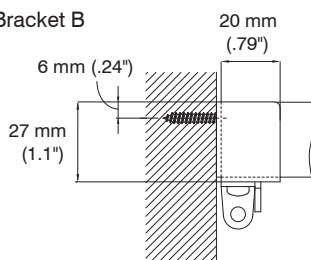


Size	Product Code	
	White	
4.00 m (157")	00230072	
Curved Rail (180 mmR/7.1"R)	0.40 m x 0.40 m (16" x 16")	00230074
	0.91 m x 0.91 m (36" x 36")	00230073

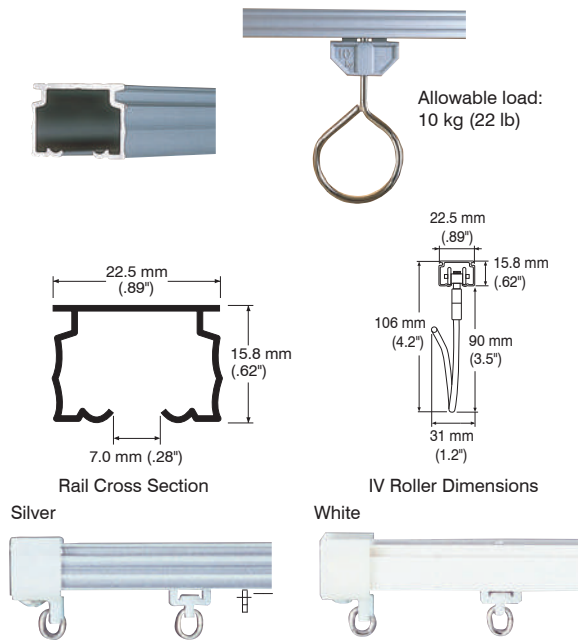


Installations Dimensions

Wall Bracket B



New Delac (for hospital ward applications)



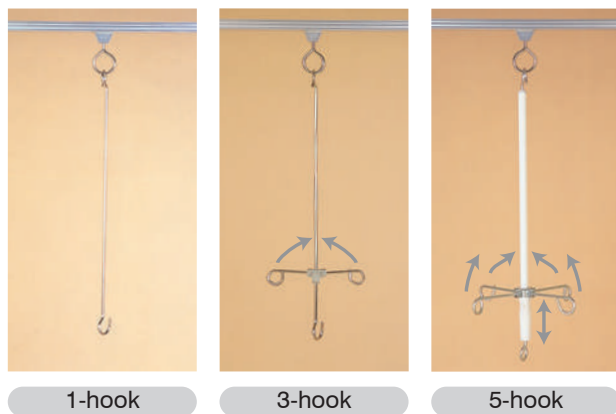
Materials and Finishes

Parts		Material	Finish
Rail		Aluminum alloy extrusion material	Alumite
IV Roller	Wheel	Acetal resin	—
	Hook	SUS 304 Ø5	

New Delac Rails

Size	Product Code		
	Silver	White	
1.82 m (72")	00210120	00210346	
2.00 m (79")	00210121	00210347	
2.73 m (107")	00210122	00210348	
3.00 m (118")	00210123	00210349	
3.64 m (143")	00210124	00210350	
4.00 m (157")	00210125	00210351	
Curved Rail (180 mmR/ 7.1"R)	0.40 m x 0.40 m (16" x 16")	00210126	—
	1.00 m x 1.00 m (39" x 39")	00210035	—

Common Parts



Partrac II Parts

	Product Name	Product Code
Rollers	New Delac Roller (8 pieces per strip)	Natural 5062001
	Overhead Hanger B (for last-in)	White 00230075
Brackets	ND IV Roller	White 00210052

	Product Name	Product Code
Brackets	Wall Bracket B	White 00230077
	Splice	00230009
	IV Bottles Hook	A600-P1 00450005
		A800-P1 00450004

	Product Name	Product Code
Other Parts	Adjustable Hanger Rod A	White 00290042